

**7/8" female 0° with cable**

PUR 5x1.0 gy 11m

Female straight

7/8" (5-pole)

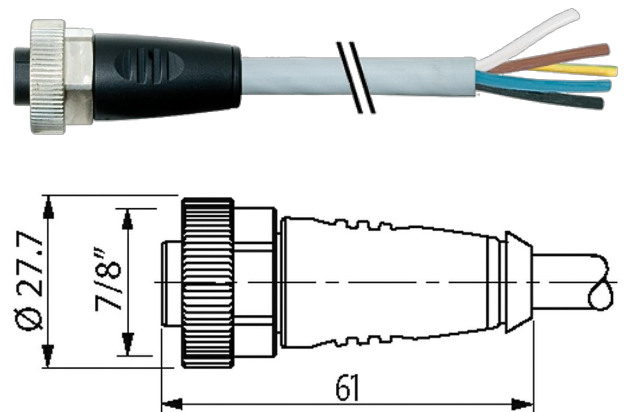
Power cable

with cable sleeves

Further cable lengths on request.

Plastic housings with good resistance against chemicals and oils.

The resistance to aggressive media should be individually tested for your application. Further details on request.

**[Link to Product](#)****Illustration**

Product may differ from Image

**Approvals**

cCSAus

\* only for products with UL/CSA approved cable

**Form**

Form 78021

**General data**

Temperature range -25...+85 °C, depending on cable quality

**Cables**

Cable number 965

No./diameter of wires 5 x 1.0 mm<sup>2</sup>

Wire isolation PP (br, wh, bl, bk num, gnye)

Jacket Color gray

Material (jacket) PUR/PVC

Outer Ø 7.2 mm ±5%

Bend radius (moving) 10 x outer Ø

Temperature range (fixed) -30...+70 °C

Temperature range (mobile) -5...+70 °C

Cable identification 965

Approval (cable) CE

Cable weight [g/m] 86,90

Material (wire) Cu wire, bare

Resistor (core)	max. 19.5 $\Omega$ /km (20 °C)
Single wire $\varnothing$ (core)	0.2 mm
Diameter (core)	5 x 1.0 mm <sup>2</sup>
AWG	similar to AWG 17
Material (wire isolation)	PP
Shore hardness (wire isolation)	60 $\pm$ 5 D
Wire- $\varnothing$ incl. isolation	2.0 mm $\pm$ 5%
Color/numbering of wires	bl, bk, wh, br, num; gnye longitudinally striped
Stranding combination	5 wires twisted around central filler
Shield	no
Material (jacket)	PUR/PVC
Material property (jacket)	CFC-, halogen-, cadmium-, silicone- and lead-free, matt, low-adhesion, machine easy to process, abrasion-resistant, hydrolysis and microbial resistant
Shore hardness (jacket)	81 $\pm$ 5 A / 90 $\pm$ 5 A
Outer- $\varnothing$ (jacket)	7.2 mm $\pm$ 5%
Color (jacket)	gray
Nominal voltage	600 V AC
Test voltage	3000 V AC
Current load capacity	to DIN VDE 0298-4
Temperature range (fixed)	-30...+70 °C
Temperature range (mobile)	-5...+70 °C
Bend radius (fixed)	7.5 x outer $\varnothing$
Bend radius (moving)	10 x outer $\varnothing$

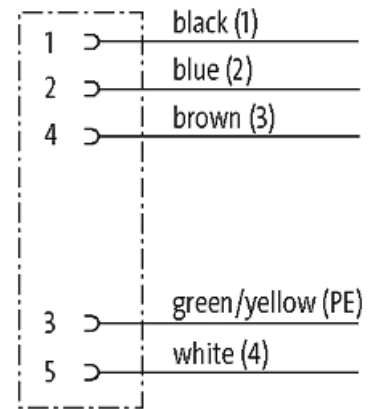
#### Technical Data

Operating voltage	max. 230/400 V AC/DC
Operating current per contact	max. 12 A
Locking of ports	Screw thread 7/8" (recommended torque 1.5 Nm) self-securing
Protection	IP67 inserted and tightened (EN 60529)
Locking material	Zinc die casting, matte nickel plated

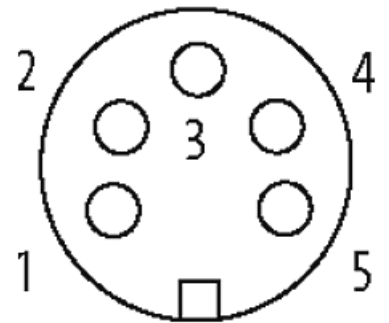
#### Commercial data

country of origin	CZ
customs tariff number	85444290
EAN	4048879579551
eClass	27279218
Packaging unit	1

#### Sketch



## Female



Product may differ from Image